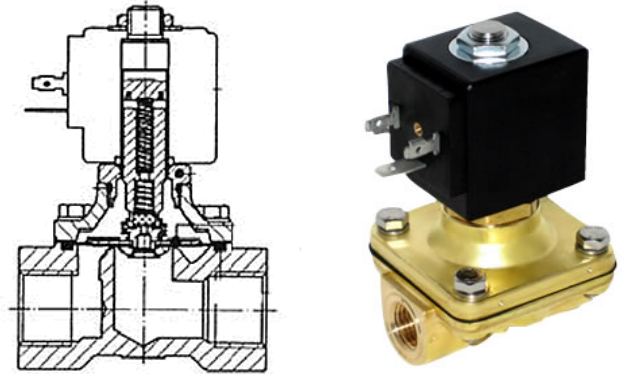


Model # H6B39-00V

2-way, internally piloted, normally closed solenoid valve, with assisted lift



1" Pipe Size (Inch)	1" Orifice Size (Inch)	8.30 Flow Factor (CV)	24 VAC Voltage (AC)	8 watts Wattage (W)	0–116 psi Pressure Range (PSI)
FKM Sealing Material	14°–280° F Temperature Range	Cable grip DIN  Connector Supplied	Air, Inert gas, Water, Synthetic oils Medium Examples		

Materials of Construction

Body:	Brass
Armature Tube:	Stainless Steel 300
Fixed Core:	Stainless Steel 400
Plunger:	Stainless Steel 400
Spring:	Stainless Steel 300
Shading Ring:	Copper
Orifice:	Brass

Valve Dimensions

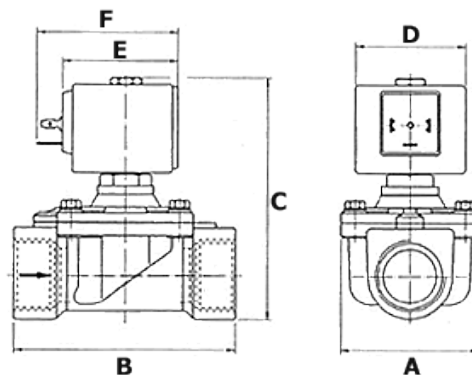
Valve Width (A):	2 9/16"
Valve Length (B):	4 3/32"
Valve Height (C):	4 13/32"
Coil Width (D):	1 3/16"
Coil Length (E):	1 21/32"
Coil Length (F):	2 1/8"

Electrical Specifications

Rating:	NEMA 4
Inrush VA:	25
Holding VA:	14.0

Spare Part Numbers

Kit:	KTGHT6KOV25
Coil:	B3
Connector:	009



Note: Valve is pictured above with a sample coil, which may or may not reflect the exact specifications of this particular build.