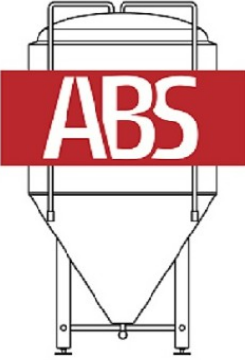
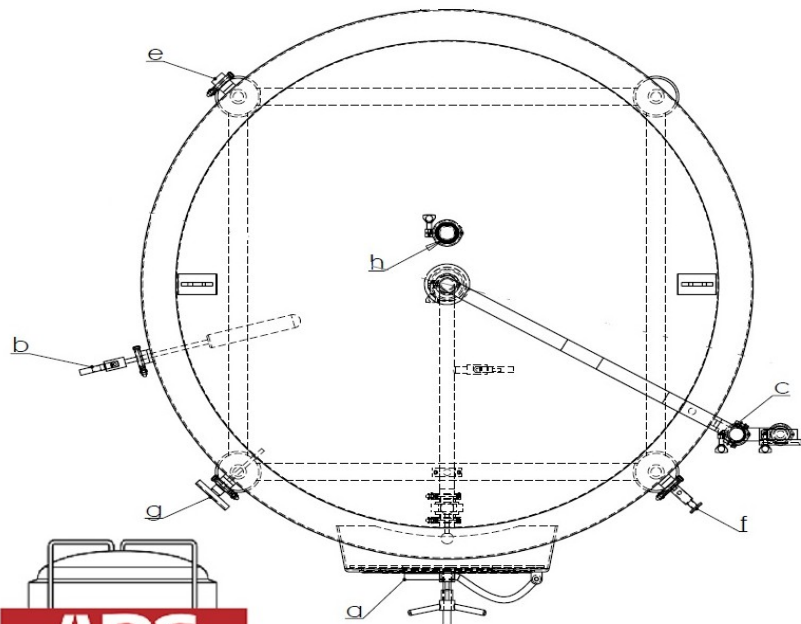
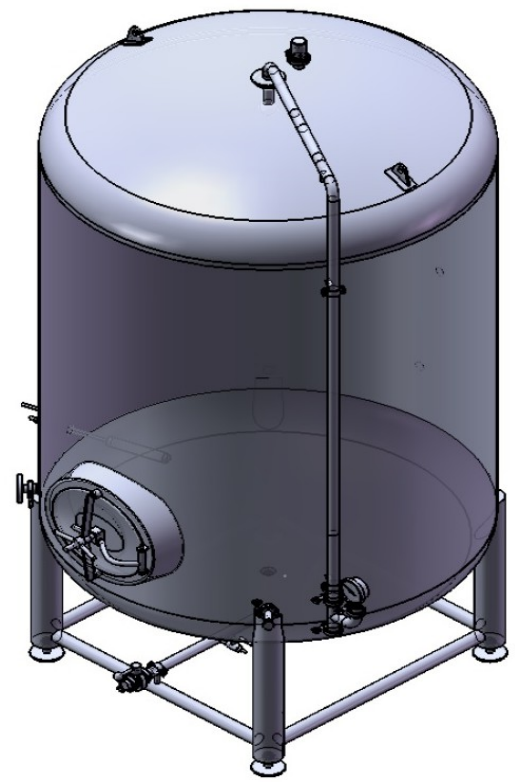


a	Manway	23" x 19"
b	Carbonation Stone	1.5" Tri-Clamp
c	CIP	1.5" Tri-Clamp
d	Pressure Gauge	1.5" Tri-Clamp
f	Sample Valve	1.5" Tri-Clamp
g	Temperature Gauge	1.5" Tri-Clamp
h	PRV	1.5" Tri-Clamp
i	Outlet	1.5" Tri-Clamp
j	Level Gauge	Silicone Hose

Dimensions: 9'4" height 5'5" Diameter, Weight 1400 Lbs.  
Power Requirements: None

Vessel Specifications			
	Unit	Container	Jacket
Working Pressure	PSI	15	
Tested Pressure	PSI	30	
Temperature Range	F	15-220	
Material		SS304	
Full Volume	BBL		
Rated Volume	BBL	30	
Insulation Material			
Insulation Thickness	Inch		
Heat/Cold Transfer Area	Sqf.		
PRV Actuation	PSI	15	
Glycol Volume	Gal.		



**Atlantic Brew Supply**  
30 Barrel Serving Tank  
Model: ST30BBL