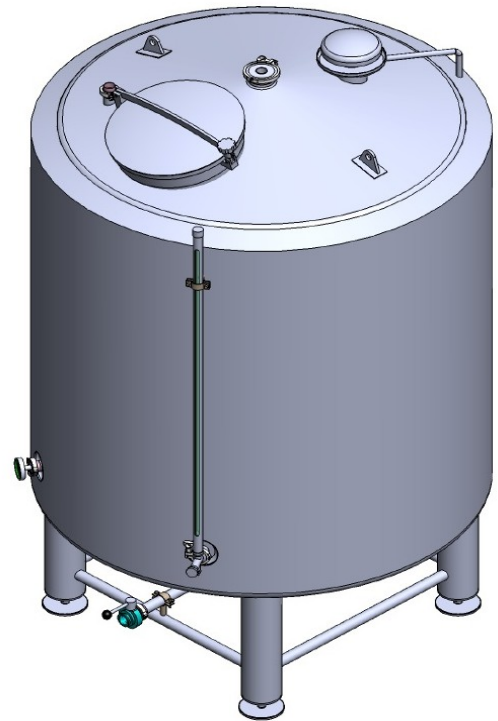
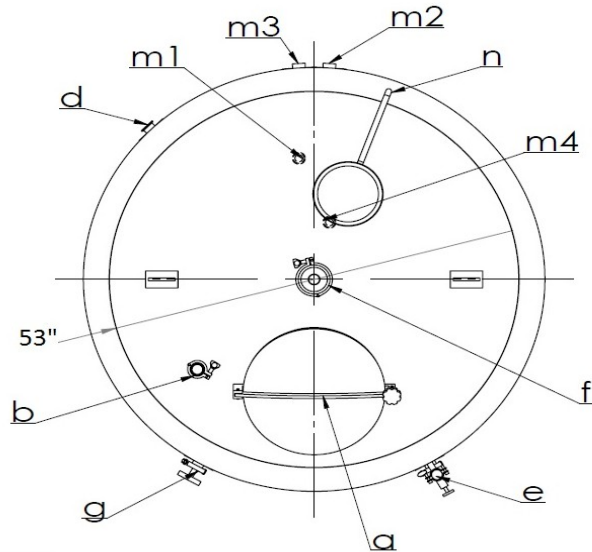


|      |                    |                |
|------|--------------------|----------------|
| a    | Manway             | 23" x 19"      |
| b    | Inlet              | 1.5" Tri-Clamp |
| c    | Outlet             | 1.5" Tri-Clamp |
| d    | Thermocouple Port  | 1.5" Tri-Clamp |
| e    | Sight Glass        | 1.5" Tri-Clamp |
| f    | Vent               |                |
| g    | Temperature Gauge  | 1.5" Tri-Clamp |
| h    | CIP                | 1.5" Tri-Clamp |
| m1-4 | Glycol/Steam Ports | 3/4" FNPT      |
| n    | Condensate Drain   | Pipe           |

Dimensions: 7'10" height 5'0" Diameter, Weight 1200 Lbs.  
 Power Requirements: None  
 Fermenter Control Panel Supplies 24VDC to Glycol Valves or  
 Brew House Control Panel 110V to Steam Valves

### Vessel Specifications

|                         | Unit | Container         | Jacket |
|-------------------------|------|-------------------|--------|
| Working Pressure        | PSI  |                   | 45     |
| Tested Pressure         | PSI  |                   | 90     |
| Temperature Range       | F    | 15-220            | 15-220 |
| Material                |      | SS304             | SS304  |
| Full Volume             | BBL  | 19.2              |        |
| Rated Volume            | BBL  | 15                |        |
| Insulation Material     |      | Polyurethane Foam |        |
| Insulation Thickness    | Inch | 3 1/4"            |        |
| Heat/Cold Transfer Area | Sqf. |                   |        |
| PRV Actuation           | PSI  |                   |        |
| Glycol Volume           | Gal. |                   | 10     |



## Atlantic Brew Supply

15 Barrel Beer Hot/Cold Liquor Tank  
 Model: HCLT15BBL