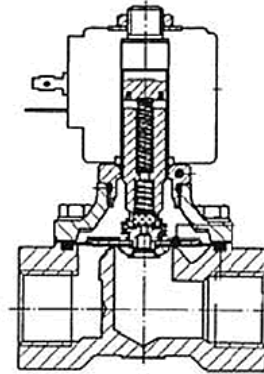


### Model # H5B10-00V

2-way, internally piloted, normally closed solenoid valve, with assisted lift



<b>3/4"</b> Pipe Size (Inch)	<b>5/8"</b> Orifice Size (Inch)	<b>2.80</b> Flow Factor (CV)	<b>120 VAC</b> Voltage (AC)	<b>8 watts</b> Wattage (W)	<b>0–200 psi</b> Pressure Range (PSI)
<b>FKM</b> Sealing Material	<b>14°–280° F</b> Temperature Range	<b>Air, Inert gas, Water, Synthetic oils</b> Medium Examples			

#### Materials of Construction

Body:	<b>Brass</b>
Armature Tube:	<b>Stainless Steel 300</b>
Fixed Core:	<b>Stainless Steel 400</b>
Plunger:	<b>Stainless Steel 400</b>
Spring:	<b>Stainless Steel 300</b>
Shading Ring:	<b>Copper</b>
Orifice:	<b>Brass</b>

#### Electrical Specifications

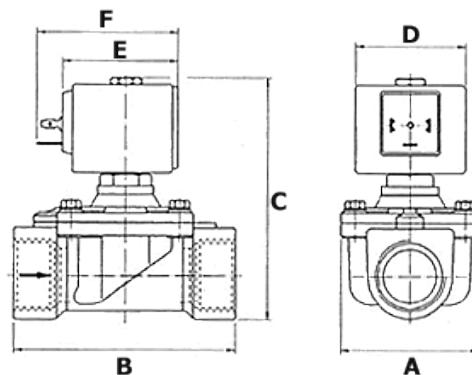
Rating:	<b>NEMA 4</b>
Inrush VA:	<b>25</b>
Holding VA:	<b>14.0</b>

#### Spare Part Numbers

Kit:	<b>KTGHT4KOV16</b>
Coil:	<b>B1</b>

#### Valve Dimensions

Valve Width (A):	<b>1 31/32"</b>
Valve Length (B):	<b>2 3/4"</b>
Valve Height (C):	<b>3 15/16"</b>
Coil Width (D):	<b>1 3/16"</b>
Coil Length (E):	<b>1 21/32"</b>
Coil Length (F):	<b>2 1/8"</b>



**Note:** Valve is pictured above with a sample coil, which may or may not reflect the exact specifications of this particular build.