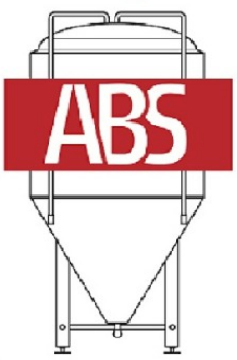
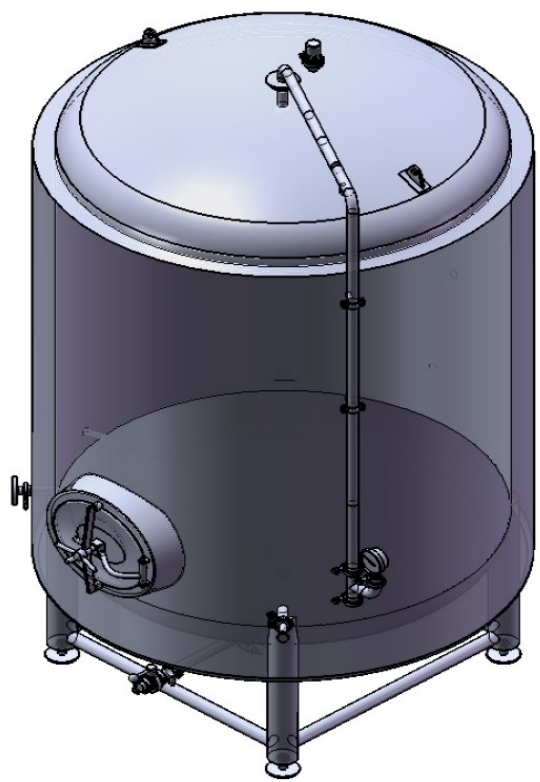
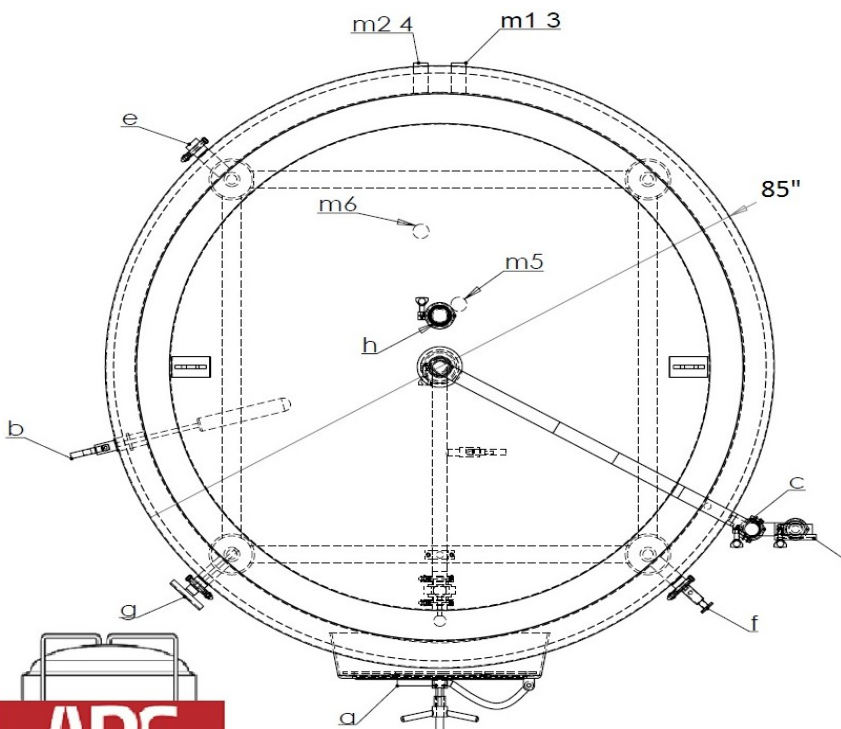


a	Manway	23" x 19"
b	Carbonation Stone	1.5" Tri-Clamp
c	CIP	1.5" Tri-Clamp
d	Pressure Gauge	1.5" Tri-Clamp
e	Thermocouple Port	1.5" Tri-Clamp 1/2" FNPT
f	Sample Valve	1.5" Tri-Clamp
g	Temperature Gauge	1.5" Tri-Clamp
h	PRV	1.5" Tri-Clamp
i	Outlet	4" Tri-Clamp
j1-2	Sight Glass	1/2" Silicone Tube
m1-4	Glycol Ports	3/4" FNPT

Dimensions: 11'5" height 7'1" Diameter, Weight 1700 Lbs.
 Power Requirements: None
 Fermenter Control Panel Supplies 24VDC to Glycol Valve

Vessel Specifications			
	Unit	Container	Jacket
Working Pressure	PSI	15	45
Tested Pressure	PSI	30	90
Temperature Range	F	15-220	15-220
Material		SS304	SS304
Full Volume	BBL		
Rated Volume	BBL	60	
Insulation Material		Polyurethane Foam	
Insulation Thickness	Inch	3 1/4"	
Heat/Cold Transfer Area	Sqf.		
PRV Actuation	PSI	15	
Glycol Volume	Gal.		22



Atlantic Brew Supply
 60 Barrel Beer Brite
 Model: BB60BBL