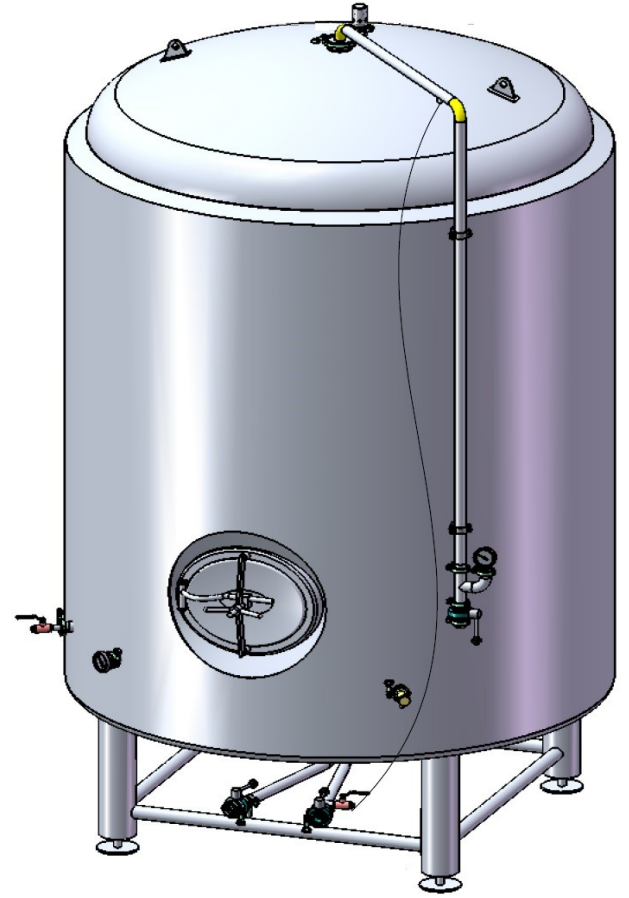
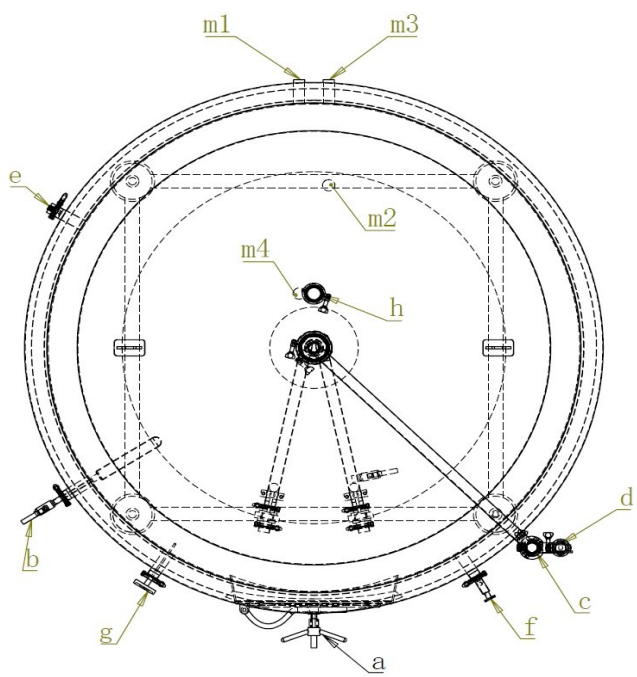


a	Manway	580x480
b	Carbonation Stone	1.5" Tri-Clamp
c	CIP	1.5" Tri-Clamp
d	Pressure Gauge	1.5" Tri-Clamp
e	Thermowell	0.5" NPT
f	Sample Valve	1.5" Tri-Clamp
g	Temperature Gauge	1.5" Tri-Clamp
h	PRV	2.0" Tri-Clamp
i	Outlet	1.5" Tri-Clamp
j	Level Guage	.5" Silicone tube
M1-M4	Glycol Ports	1.0" FNPT
n	Ports	6" and 2 x 1.5" Tri-Clamp

Dimensions: 10'10" height 6'1" Diameter, Weight 2000Lbs.
 Power Requirements: None

Specifications			
	Unit	Container	Jacket
Working Pressure	PSI	15	45
Tested Pressure	PSI	30	90
Temperature Range	F	15-220	15-220
Material		SS304	SS304
Full Volume	BBL	48	
Rated Volume	BBL	40	
Insulation Material		Polyurethane Foam	
Insulation Thickness	Inch	3 1/4"	
Heat/Cold Transfer Area	Sqf.		
PRV Actuation	PSI	15	
Glycol Volume	Gal.		16

Updated 81115 P81115



ABS-Commercial
 40 Barrel Beer Brite
 Model: BB40BBL